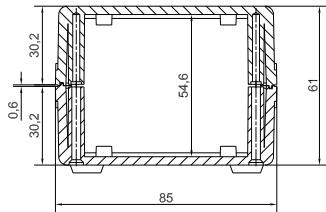
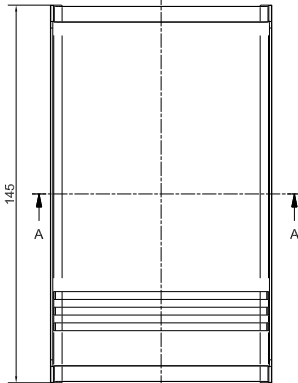


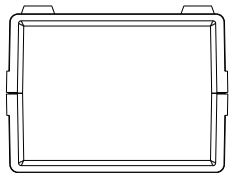
A-A



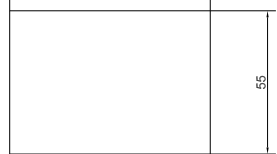
B



B

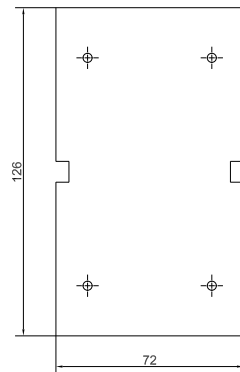


77

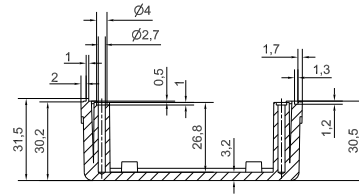


1

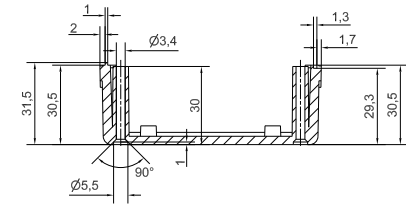
PCB MAX SIZE



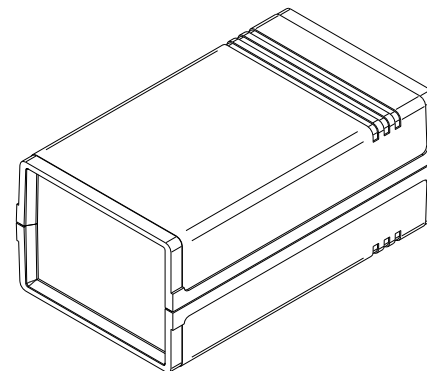
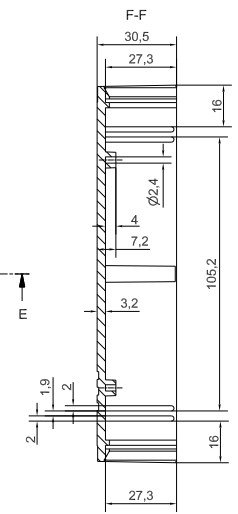
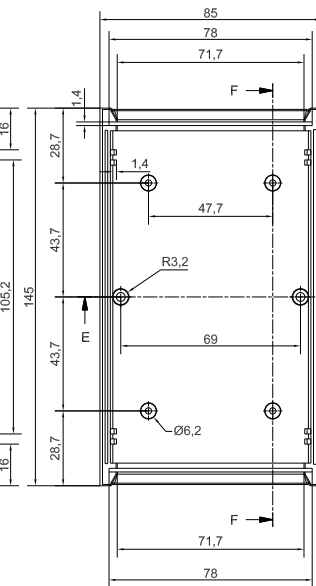
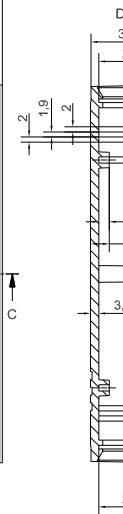
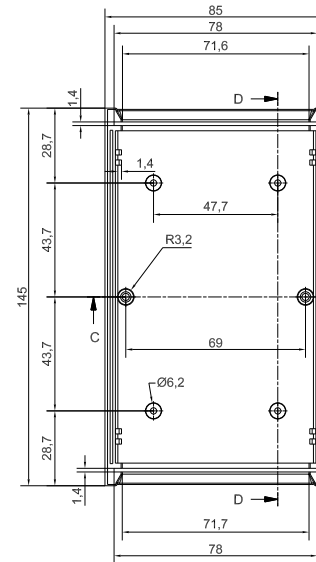
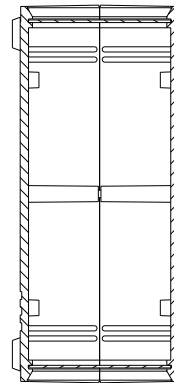
C-C



E-E



B-B



	Description Assembly 10003	Part Number 10003
	Subject to technical modification without prior notice. Tipographical and other errors do not justify any claim for damages. All dimensions should be verified using an actual moulded part.	Rev. Index Date 16/02/2006
	This document contains proprietary information of TEKO S.p.A. and is licensed subject to the conditions that the information be released in confidence; not be reproduced or copied and not be used or incorporated in any product.	Size A1