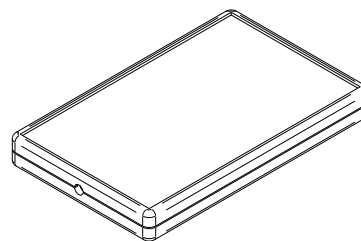
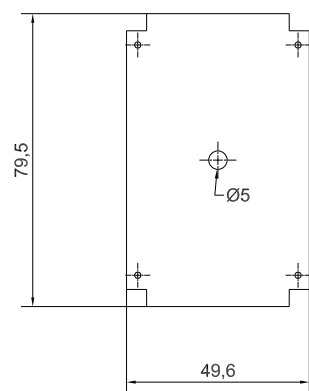


PCB MAX SIZE



	Denomination	Assembly PC-XIR		Part. Number	PC-XIR
	Subject to technical modification without prior notice. Tipographical and other errors do not justify any claim for damages. All dimensions should be verified using an actual moulded part.				
	This document contains proprietary information of TEKO S.p.a. and is tendered subject to the conditions that the information be retained in confidence not be reproduced or copied and not be used or incorporated in any product.			Date	24/01/2006
				Format design	A2