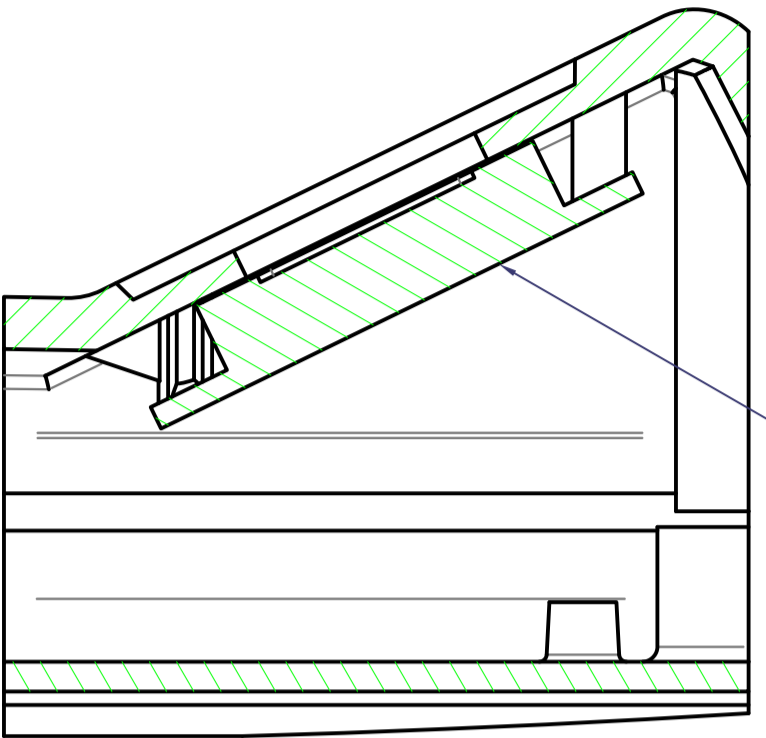
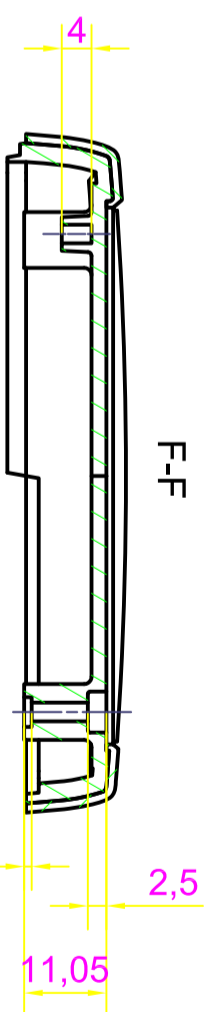
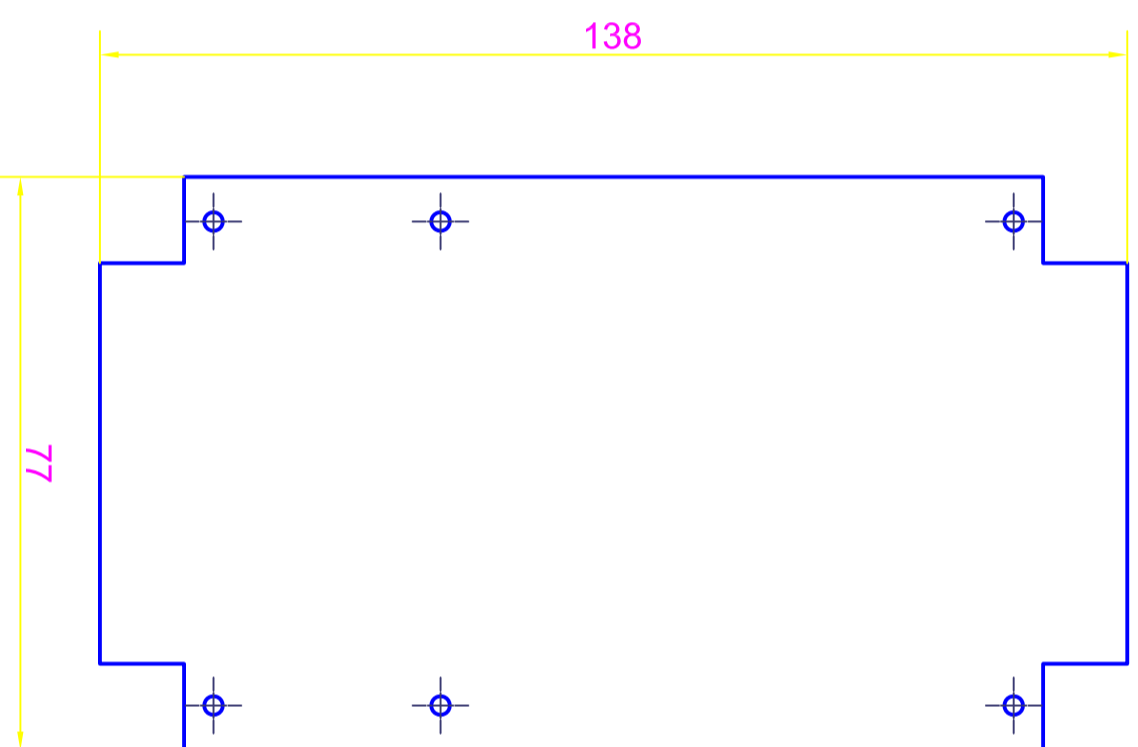


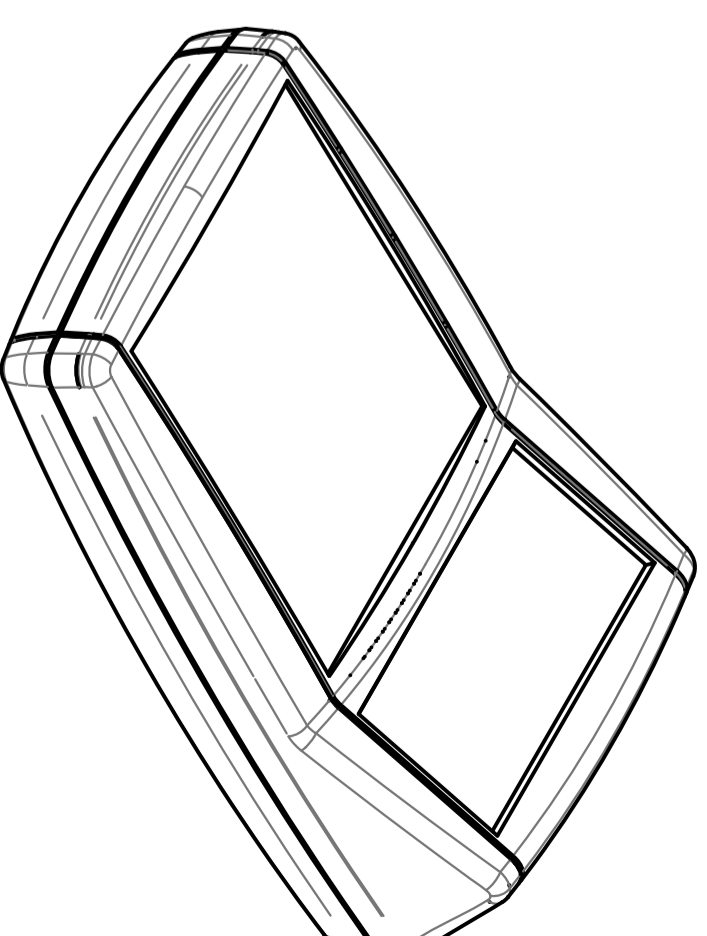
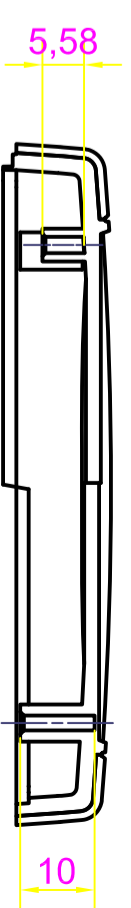
H-H (2 : 1)  
Display tipo WG14432B



MAXIMUM PCB SIZE



G-G



	<p>Subject to technical modification without prior notice. Typographical and other errors do not justify any claim for damages. All dimensions should be verified using an actual moulded part.</p>	<p>Part Number</p> <p><b>TNP22</b></p>	<p>Rev. Index</p> <p><b>1:1</b></p>
	<p>Date</p> <p><b>24/09/2008</b></p>	<p>Formal design</p> <p><b>A2</b></p>	